

# Quicklink TX Multi



Powered by

Up to 4 Skype calls. Full 1080p two-way calls.



The Quicklink TX Multi gives you all the tools you need to easily control, adjust and preview multiple HD Skype calls in your workflow. This unit is simple to integrate with an array of connections including SDI, HDMI, Component, S-Video, Composite, AES/EBU and Analog inputs/outputs.

## Product Highlights

- ▶ Easily manage multiple Skype calls
- ▶ Studio-grade SDI, HDMI I/O
- ▶ Analog & AES/EBU Audio
- ▶ NDI™ Video over IP I/O
- ▶ Skype TX controller software with control console
- ▶ Call Recording & Colour Correction
- ▶ Switchable IFB Return Audio
- ▶ Customisable tally/information graphic overlay
- ▶ Free complimentary technical information via the Customer Portal
- ▶ Quiet Running



## The Quicklink TX Multi allows you to:

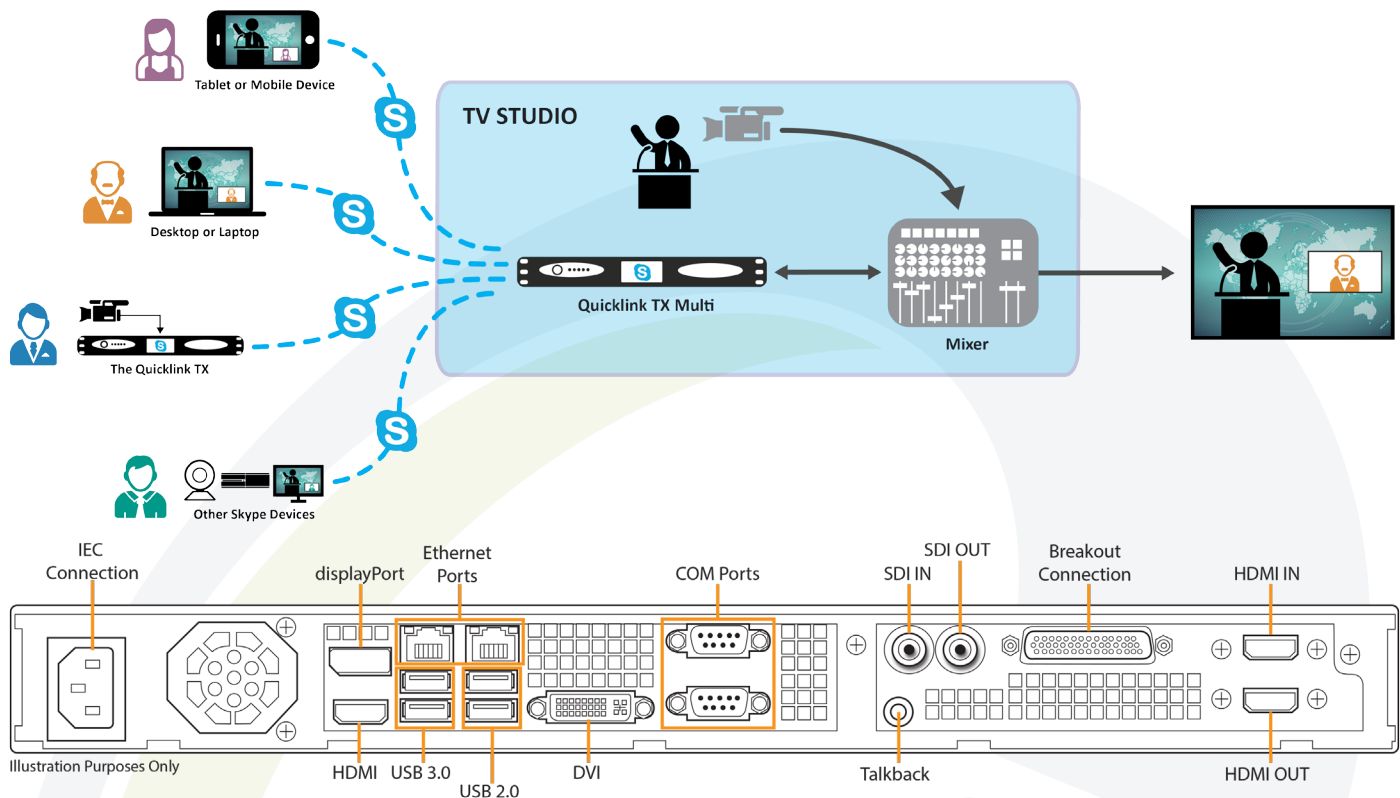
- ▶ Create high quality, low latency, two way broadcast-ready HD Skype video content
- ▶ Easily scale the solution by adding additional units
- ▶ Simplify existing workflows using this all-in-one, plug and play solution
- ▶ Access 300 million Skype users for inclusion for remote interviews within live broadcasts, TV game shows, worship events or large managed corporate events

“The Quicklink TX enables us to be more creative in our approach to producing innovative video content.”

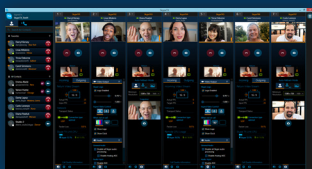
Rhodri James, Gorilla Technical Director



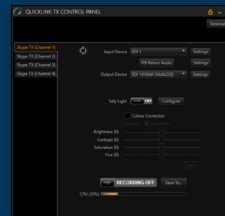
# Send and receive multiple calls from over 300 million Skype users



## Included:



**The Skype TX Controller** enables broadcasters and content producers to manage multiple Quicklink TX units from a single user interface.



**Quicklink TX Control Panel** is a simple, easy to use network control which allows you to manage your Quicklink TX Multi units.

	Quicklink TX SDI	Quicklink TX	Quicklink TX Multi
Multiple HD Skype Calls	1	1	1-4
10-bit SD/HD-SDI Video Input/Output	1	1	1
HDMI Video Input/Output		✓	✓
Analog Video Input/Output		✓	✓
Analog Audio Input/Output		✓	✓
AES/EBU Audio Input/Output		✓	✓
NDI™ Video over IP	✓*	✓*	✓*
Genlock/Sync Reference Input		✓	✓
4K Upscaling		✓	✓
Hardware Unit Height	1U	1U	1U

\* Additional Software Required

# Full System Specifications

	<u>Quicklink TX SDI</u>	<u>Quicklink TX</u>	<u>Quicklink TX Multi</u>	<u>Quicklink TX Duo</u>	<u>Quicklink TX Quad NDI</u>	<u>Quicklink TX Quad</u>	<u>Quicklink TX Quad - High Availability</u>
Multiple HD Skype Calls	1	1	1-4	2	4	4	4
10-bit SD/HD-SDI Video Input/Output Supports 6 Gb/s 4:2:2 and 3 Gb/s 4:4:4	1	1	1	2		4	4
HDMI Video Input/Output 1 x HDMI type A connector		✓	✓				
Analog Video Input/Output 1 x Component YUV on 3 BNCs, 1 X Composite, 1 x S-Video. Component supports SD and HD		1	1				
SDI Embedded Audio Input/Output 16 Channels embedded in HD, 8 Channels embedded in SD (supported in hardware)	✓	✓	✓	✓		✓	✓
HDMI Audio Input/Output 8 Channels embedded via 1 x HDMI type A connector		✓	✓				
Analog Audio Input/Output		1	1			4*	4*
AES/EBU Audio Input/Output		1	1			4*	4*
NDI™ Video over IP*	✓	✓	✓	✓	✓	✓	✓
Genlock /Sync Reference Input Blackburst in SD, 720p50, 720p59.94, 1080i50 and 1080i59.94 formats or Tri-Sync in any HD	✓	✓	✓	✓		✓	✓
4K Upscaling		✓	✓				
High Availability Redundant hardware, server monitoring and alert system							✓
Auto Aspect Ratio Conversion	✓	✓	✓	✓	✓	✓	✓
Single Operator Multi-Channel Control	✓	✓	✓	✓	✓	✓	✓
Skype watermark enable/disable	✓	✓	✓	✓	✓	✓	✓
Switchable IFB Return Audio and IFB Audio Ducking	✓	✓	✓	✓	✓	✓	✓
Auto fallback to still	✓	✓	✓	✓	✓	✓	✓
Operator Previews	✓	✓	✓	✓	✓	✓	✓
Call Quality Monitoring	✓	✓	✓	✓	✓	✓	✓
Full Bandwidth Call Recording	✓	✓	✓	✓	✓	✓	✓
Colour Correction	✓	✓	✓	✓	✓	✓	✓
Tally Notification - Customised Overlay Option	✓	✓	✓	✓	✓	✓	✓
Built-In Video TouchScreen							✓
System Restore functionality	✓	✓	✓	✓	✓	✓	✓
Optional Support Contract	✓	✓	✓	✓	✓	✓	✓

# Full System Specifications

	<u>Quicklink TX Multi SDI</u>	<u>Quicklink TX</u>	<u>Quicklink TX Multi</u>	<u>Quicklink TX Duo</u>	<u>Quicklink TX Quad NDI</u>	<u>Quicklink TX Quad</u>	<u>Quicklink TX Quad - High Availability</u>
RS232 Communication Ports	2	2	2	2			
USB 2.0/3.0	2/2	2/2	2/2	2/2	2/4	2/4	2/4
Remote Desktop control via a web browser	✓	✓	✓	✓	✓	✓	✓
Network Ports	2	2	2	2	2	2	2
Low level engineering remote diagnostics					✓	✓	✓
Power Supply Unit. 100-240V. 3 Pin IEC Power Slot	1	1	1	1	1	1	2
Hardware Unit Height	1U	1U	1U	1U	2U	2U	2U
Size: 480mm (W) x 44mm (H) x 250mm (D)	✓	✓	✓	✓			
Size: 480mm (W) x 88mm (H) x 570mm (D)					✓	✓	✓